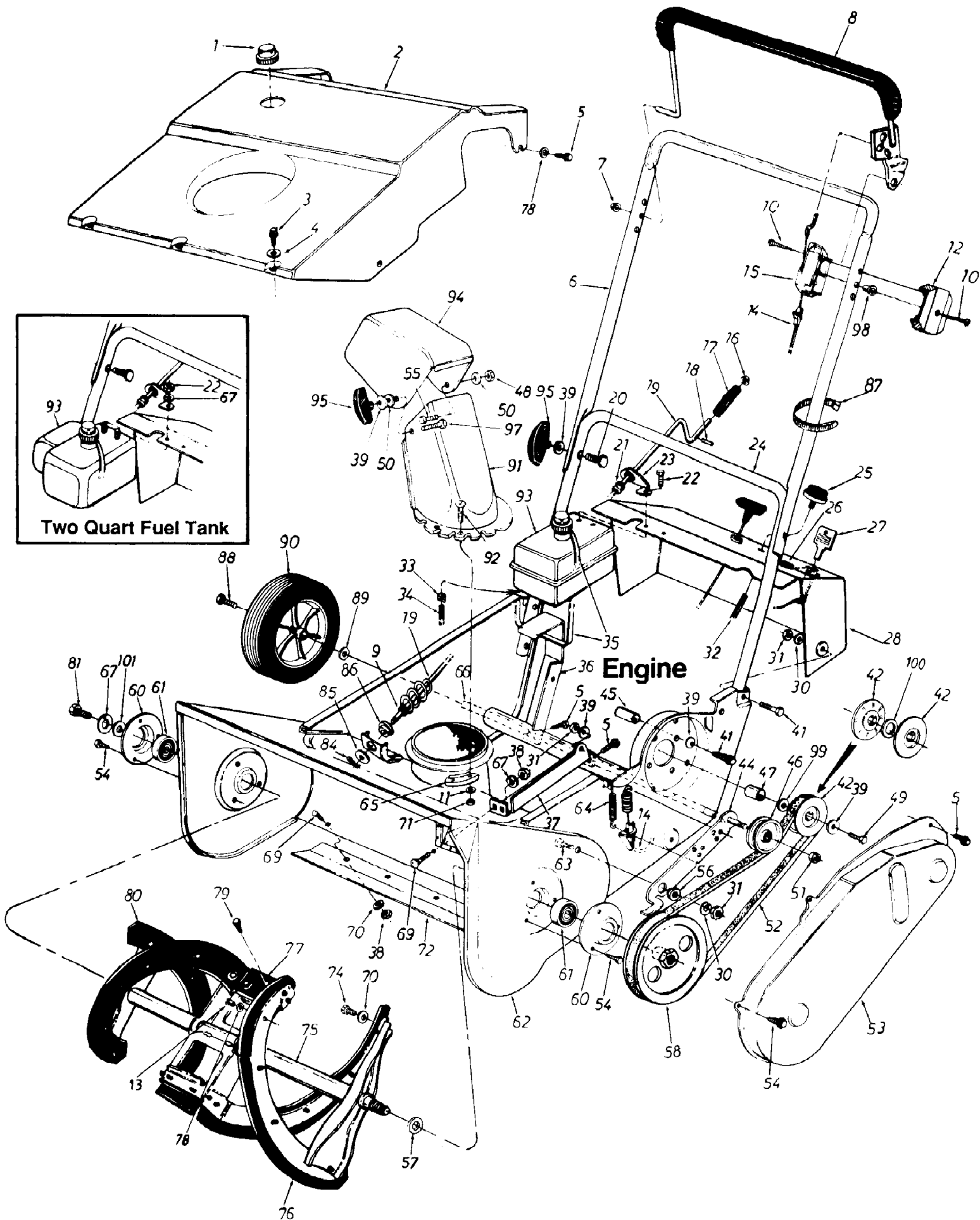


311-181-190 Snow Boss 350 (1991)
Snow Thrower Assembly



311-181-190 Snow Boss 350 (1991)
Snow Thrower Assembly

Page 2 of 3

Ref #	Part Number	Qty	S/P/F	Description
1	751-0353	1	S	Gas Tank Cap
2	731-0702	1		21" Shroud
3	710-0429	1	S	Hex B-Tap Scr. #10 x .38"
4	736-0370	1		Spr.-Wash. .206" I.D. x .448"
5	710-0892	1	S	Hex L-Wash. Hd. AB-Tap 1/4 x .62" Lg.
6	749-0705	1		Upper Handle
7	726-0135	1	/P	Cap Speed Nut
8	731-0791	1		Control Handle Ass'y.-L.H.
9	736-0140	1	S	FI-Wash. .385" I.D. x .62"
10	710-0796	1	/P	Truss Mach. Hi-B 0 Tap Scr. #12 x 1.5" Lg.
11	736-0142	1	S	FI-Wash. .281" I.D. x .5" O.D.
12	731-0815	1	S	Control Panel Half
13	728-0173	1	S	Pop Rivet .188" Dia.
14	746-0506	1	S	Clutch Cable 35" Lg.
15	731-0816	1		Control Panel Half
16	726-0100	1	S	Push Cap 3/8" Rod
17	720-0201A	1	/P	Knob-3/8" Dia. Hole
18	715-0138	1	S	Roll Pin 1/8" Dia. x .63" Lg.
19	784-5344	1		Chute Crank Ass'y.
20	710-0405	1	S	Curved Carriage Bolt 5/16-18 x 1.75" Lg.
21	735-0218A	1	S	Chute Crank Grommet
22	710-0895	1		Hex AB-Tap Scr. 1/4 x .75" Lg. (Used w/One Quart Gas Tank)
	712-0287	1	S	Hex Nut 1/4-20 Thd. (Used w/Two Quart Gas Tank)
23	784-5178	1	S	Upper Chute Crank Brkt.
24	749-0713	1		Lower Handle
25	751-0354	1	S	Primer
26	731-0732	1	/P	Plastic Plug
27	725-0954	1	S	Plastic Key (Tech. Eng.)
28	784-5168B-638	1		Dash Panel Ass'y.
30	736-0119	1	S	L-Wash. 5/16" I.D.
31	712-0267	1	S	Hex Nut 5/16-18 Thd.
32	723-0354	1	S	Primer Hose-11" Lg.
33	726-0205	1	/P	Hose Clamp-1/2" Dia.
34	751-0535	1		Gas Line-12" Lg.
35	726-0225	1		Cable Tie-17.75" Lg.
36	784-5341	1	S	Engine Support Brkt.
37	784-5495	1		Engine Support
38	712-0298	1	S	Hex Jam Nut 1/4-20 Thd.
39	736-0242	1	/P	Bell-Wash. .345" I.D. x .88"
41	710-0442	1	S	Hex Bolt 5/16-18 x 1.5" Lg.
42	756-0416A	1	S	3/8" "V"-Pulley Half .625" I.D. x 6.0" O.D.
44	784-5180B	1	S	Idler Brake Brkt. Ass'y.
45	750-0589	1	S	Spacer .325" I.D. x .625" O.D. x .875"
46	756-0313	1	/P	FI-Idler w/Flanges 2.12" O.D.
47	748-0201	1	S	Spacer .635" I.D. x .89" O.D. x .57"
48	712-0158	1	S	Hex L-Nut 5/16-18 Thd.
49	710-0157	1	/P	Hex Bolt 5/16-24 x .75" Lg.
50	736-0231	1	S	FI-Wash. .344" I.D. x 1.25"
51	712-0296	1	S	Hex Patch L-Nut 3/8-24 Thd.
52	754-0367	1		Idler w/3/8" Pulley

311-181-190 Snow Boss 350 (1991)
Snow Thrower Assembly

Page 3 of 3

Ref #	Part Number	Qty	S/P/F	Description
	754-0101A	1	S	"V"-Belt (Used w/1/2" Pulley)
53	784-5176	1		Belt Cover
54	710-0352	1	/P	Hex B-Tap Scr. 1/4" x .38" Lg.
55	710-0451	1	/P	Carriage Bolt 5/16-18 x .75"
56	748-0234	1	/P	Shld. Spacer .50" Dia. x .27"
57	736-0326	1	S	FI-Wash. .510" I.D. x 1.0" O.D.
58	756-0550	1		3/8" "V"-Pulley 1/2-20 L.H. x 6"
	756-0475	1	/P	1/2" "V"-Pulley 1/2-20 L.H. x 6"
60	784-5174	1	S	Bearing Cup
61	741-0124	1	S	Ball Brg. .669" I.D. x 1.574"
62	784-5325C-638	1		21" Blower Hsg. Ass'y.
63	710-0323	1	/P	Truss Mach. Scr. 5/16-18 x .75" Lg.*
64	732-0357	1	S	Extension Spring 1.12" Lg.
65	731-0851	1	S	Chute Flange Keeper
66	711-0848	1		Wheel Axle 1/2" O.D. x 20.6" Lg.
67	736-0329	1	S	L-Wash. 1/4" I.D.
69	710-0167	1	/P	Carriage Bolt 1/4-20 x .50"
70	736-0173	1	/P	FI-Wash. .281" I.D. x .73"
71	712-0291	1	S	Hex L-Nut 1/4-20 Thd.
72	731-1033	1	/P	Shave Plate
74	710-0896	1	/P	Hex Wash. B-Tap Scr. 1/4 x .62" (Spec.)
75	784-5485	1	S	Auger Ass'y. 21"
76	731-0781A	1	S	Rubber Spiral-L.H.
77	731-0782	1	S	Rubber Paddle
78	736-0400	1	S	FI-Wash. .218" I.D. x .62"
79	710-1003	1	/P	Hex Wash. B-Tap Scr. #10 x .62" Lg.
80	731-0780A	1	S	Rubber Spiral-R.H.
81	710-0875	1		Hex Wash. TT-Tap Cl-Scr. 1/4-20 x .75" Lg.
84	714-0507	1	S	Cotter Pin 3/32" Dia. x .75"
85	736-0133	1	S	FI-Wash. .406" I.D. x 1.25"
86	741-0403	1	/P	Hex Bushing .385" I.D.
87	726-0240	1	S	Cable Tie
88	710-0773	1		Hex Tap Scr. 3/8-24 x .5" Lg.
89	736-0108	1	S	FI-Wash. .510" I.D. x .75"
90	734-1176	1		Wheel & Tire Ass'y. 7" x 1.5"
91	731-0915	1	S	Lower Chute
92	710-0255	1	S	Truss Mach. Scr. 1/4-20 x .75"
93	751-0352	1	/P	Fuel Tank-One Quart
	751-0435	1	S	Fuel Tank-Two Quart
94	731-0921	1	S	Upper Chute
95	09966	1	S	Knob Handle.Ass'y.
97	710-0276	1	/P	Carriage Bolt 5/16-18 x 1"
98	731-0524	1		Control Disc Pin
99	736-0162	1	/P	FI-Wash. .635" I.D. x 1.04" O.D.
100	736-0116	1	S	FI-Wash. .635" I.D. x .93" O.D.
101	736-0176	1	S	FI-Wash. .25" I.D. x .93"
	390-697	1		3 HP 110V Electric Start